

INLG8814KN

8-Channel 4K NVR

- Supports H.265+ / H.265 / H.264 compression
- 8-Channel input
- Up to 8 Megapixels resolution recording
- HDMI and VGA simultaneous output
- 1 SATA HDD, Up to 8TB HDD
- Supports cloud upgrade

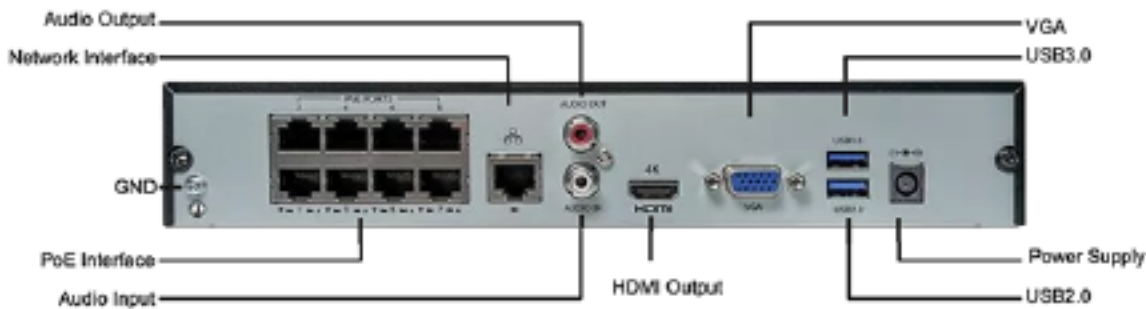


**NDA
A**
Compliant

Unify your Security Solution

You asked, we listened. Tailored especially for you, Legend is our **fully NDA compliant brand**. It offers our latest technologies in a robust build. Legend by Inaxsys provides H.265+ compression, highly reliable device, crystal clear imaging, easy-to-use, this NVR is **suitable for residences and businesses**.

Rear Panel



*Design and specifications are subjects to change without notice.



INLG8814KN

8-Channel 4K NVR

Product Specifications

System	
IP Video Input	8-Channel
Two-way Audio Input	1-Channel, RCA
Network	
Incoming Bandwidth	80Mbps
Outgoing Bandwidth	64Mbps
Maximum Operators	32
Protocols	TCP/IP, P2P, UPnP, NTP, DHCP, PPPoE, HTTP, HTTPS, DNS, DDNS, SNMP, SMTP
Video/Audio Output	
HDMI/VGA Output	HDMI: 3840 x 2160 at 30Hz; 1920 x 1080p at 60Hz; 1920 x 1080p at 50Hz; 1600 x 1200 at 60Hz; 1280 x 1024 at 60Hz; 1280 x 720 at 60Hz; 1024 x 768 at 60Hz
	VGA: 1920 x 1080p at 60Hz; 1920 x 1080p at 50Hz, 1600 x 1200 at 60Hz, 1280 x 1024 at 60Hz, 1280 x 720 at 60Hz; 1024 x 768 at 60Hz
Recording Resolution	4K / 5MP / 4MP / 3MP / 1080p / 960p / 720p / D1 / 2CIF / CIF
Audio Output	1-Channel, RCA
Audio Compression	G.711A, G.711U
Synchronous Playback	8-Channel
Liveview Display	1 / 4 / 6 / 8 / 9
Corridor Mode Screen	3 / 4 / 5 / 7 / 9
Decoding	
Decoding Format	H.265+ / H.265 / H.264
Liveview/Playback	4K / 5MP / 4MP / 3MP / 1080p / 960p / 720p / D1 / 2CIF / CIF
Capability	2 x 4K at 30fps; 3 x 5MP at 30; 4 x 4MP at 30; 5 x 3MP at 30fps; 8 x 1080p at 30fps
Hard Disk	
SATA HDD	Up to 1 SATA HDD
Storage	Up to 8TB for each disk
Smart Features	
Camera Smart Detection	Auto Tracking, Intrusion Detection, Cross Line Detection, Enter Area, Leave Area, Defocus Detection, Scene Change Detection, Object Left Behind, Object Removed
Smart Search	Behavior Search
People Counting	People Flow Counting, Crowd Density Monitoring
Smart Intrusion Prevention	8-Channel
Alarms	
Trigger Events	Motion, Tampering, Human Body Detection, Video Loss, Alarm Input, Audio Detection, IP Conflict, Network Disconnected, Disk Offline, Disk Abnormal, Illegal Access, Hard Disk Space Low, Hard Disk Full, Recording / Snapshot Abnormal

*Design and specifications are subjects to change without notice.



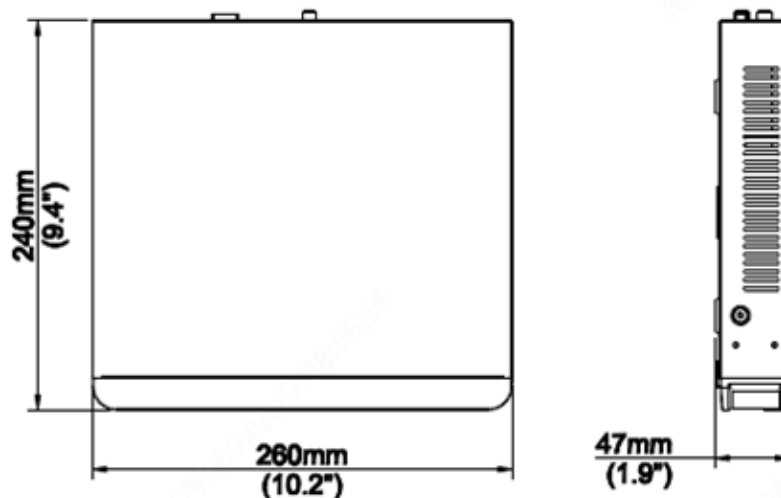
INLG8814KN

Product Specifications

8-Channel 4K NVR

External Interface	
Network Interface	1 RJ45 10M/100M self-adaptive Ethernet Interface
USB Interface	Rear panel: 1 x USB2.0, 1 x USB 3.0
ONVIF	
ONVIF conformance	Profile S, Profile G, Profile T and RTSP protocols
PoE	
Interface	8 RJ45 10M/100M self-adaptive Ethernet Interface
Maximum Capacity	Max: 30W for single port Max: 75W in total
Supported Standard	IEEE 802.3at, IEEE 802.3af
Certifications	
Certifications	CE, FCC, UL, RoHS, WEEE
CE	EN 55032: 2015, EN 61000-3-3: 2013, EN IEC 61000-3-2: 2019, EN 55035: 2017
FCC	Part15 Subpart B, ANSI C63.4
General	
Power Supply	52V DC / Power Consumption: Less than 8W (without HDD)
Working Environment	-10°C to +55°C; Less than 90% RH (non-condensing)
Dimensions (WxDxH)	260mm × 240mm × 47mm (10.2"×9.4"×1.9")
Weight (without HDD)	2.20 lbs (Up to 1kg)

Dimensions



*Design and specifications are subjects to change without notice.

